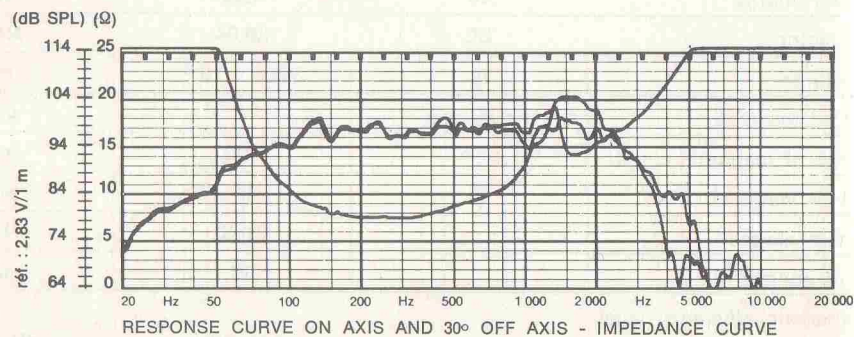
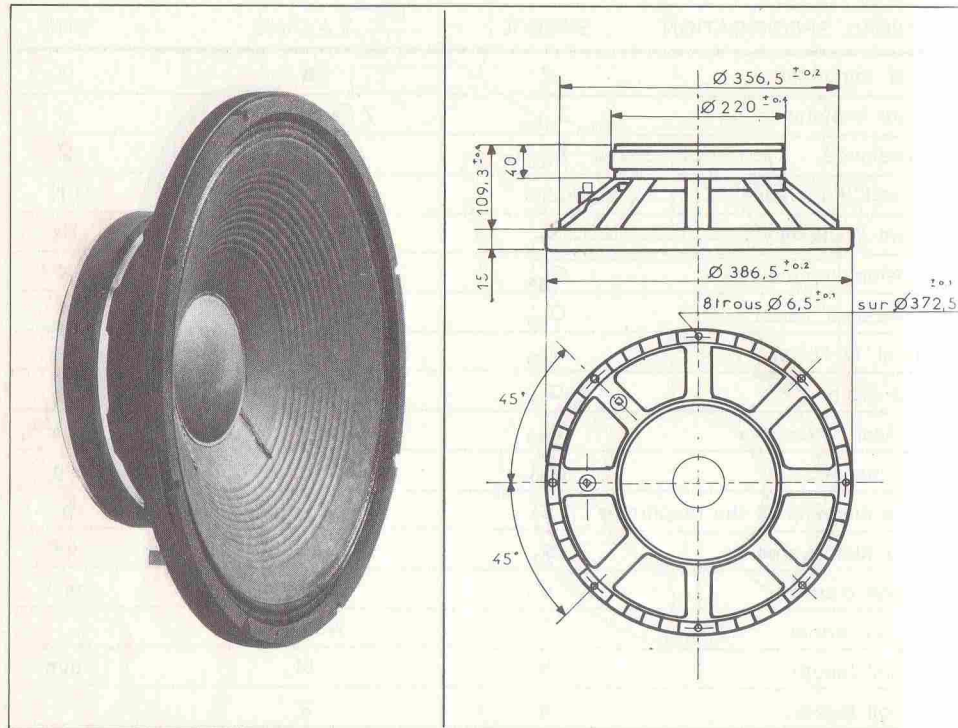


PR 38 S 100

38 cm - 15"

BASS



RESPONSE CURVE ON AXIS AND 30° OFF AXIS - IMPEDANCE CURVE

Bass speaker. Professional series. Zamac die cast chassis. Special pressed cone. 100 mm diameter voice coil on a nomex former. Magnet system 220 mm diameter and 1.5 Tesla. Very high efficiency 103 dB 1 W/1 metre and high power handling capacity.

PR 38 S 100

38 cm - 15"

TECHNICAL SPECIFICATION	SYMBOL	VALUE	UNIT
Nominal impedance	Z	8	Ω
Minimum impedance	Z _{min}	7,5 @ 300 Hz	Ω
DC resistance	R _{scc}	5,5	Ω
Voice coil inductance	L _{BM}	1430	μH
Resonant frequency	f _s	24 ± 4	Hz
Suspension compliance	C _{MS}	3,9 . 10 ⁻⁴	mN ⁻¹
Mechanical Q factor	Q _{MS}	3,47	
Electrical Q factor	Q _{ES}	0,18	
Total Q factor	Q _{TS}	0,17	
Mechanical resistance	R _{MS}	5,42	kg s ⁻¹
Moving mass	M _{MD}	113,6 . 10 ⁻³	kg
Emissive diameter of the diaphragm	D	0,335	m
Effective piston area	S _D	0,0880	m ²
Voice coil diameter	d	100	mm
Voice coil former		Nomex	
Voice coil length	h	14	mm
Voice coil layers	n	2	
Flux density	B	1,50	T
Flux in the Gap	∅	3,30 . 10 ⁻³	Wb
Magnetic energy	W	2,95	Ws
Force factor	BL	26,04	NA ⁻¹
Gap volume	V _E	3,298 . 10 ⁻⁶	m ³
Height of the Gap	H _E	7	mm
Diameter of magnet	∅ A	220	mm
Height of magnet	B	23	mm
Weight of magnet		3,140	kg
Mass of speaker		10	kg
Characteristic efficiency level :			
1 W, pink noise, weighted	η	103 (PR)	dB SPL
Nominal power handling		200	W
Acceleration factor	Γ	229	ms ⁻² A ⁻¹